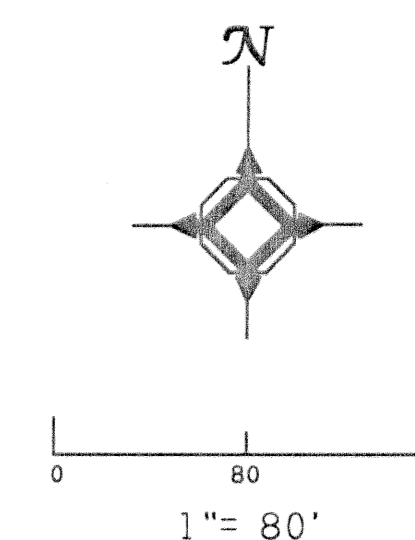


# HUDSON-SPARLING PLAT

BEING A REPLAT OF A PORTION OF TRACT 11, BLOCK 6 OF THE PALM BEACH FARMS COMPANY PLAT No. 3, AS RECORDED IN PLAT BOOK 2, PAGE 45-46 IN THE PUBLIC RECORDS OF PALM BEACH COUNTY, FLORIDA SECTION 33, TOWNSHIP 43 SOUTH, RANGE 42 EAST

SHEET 2 OF 2



### NOTES:

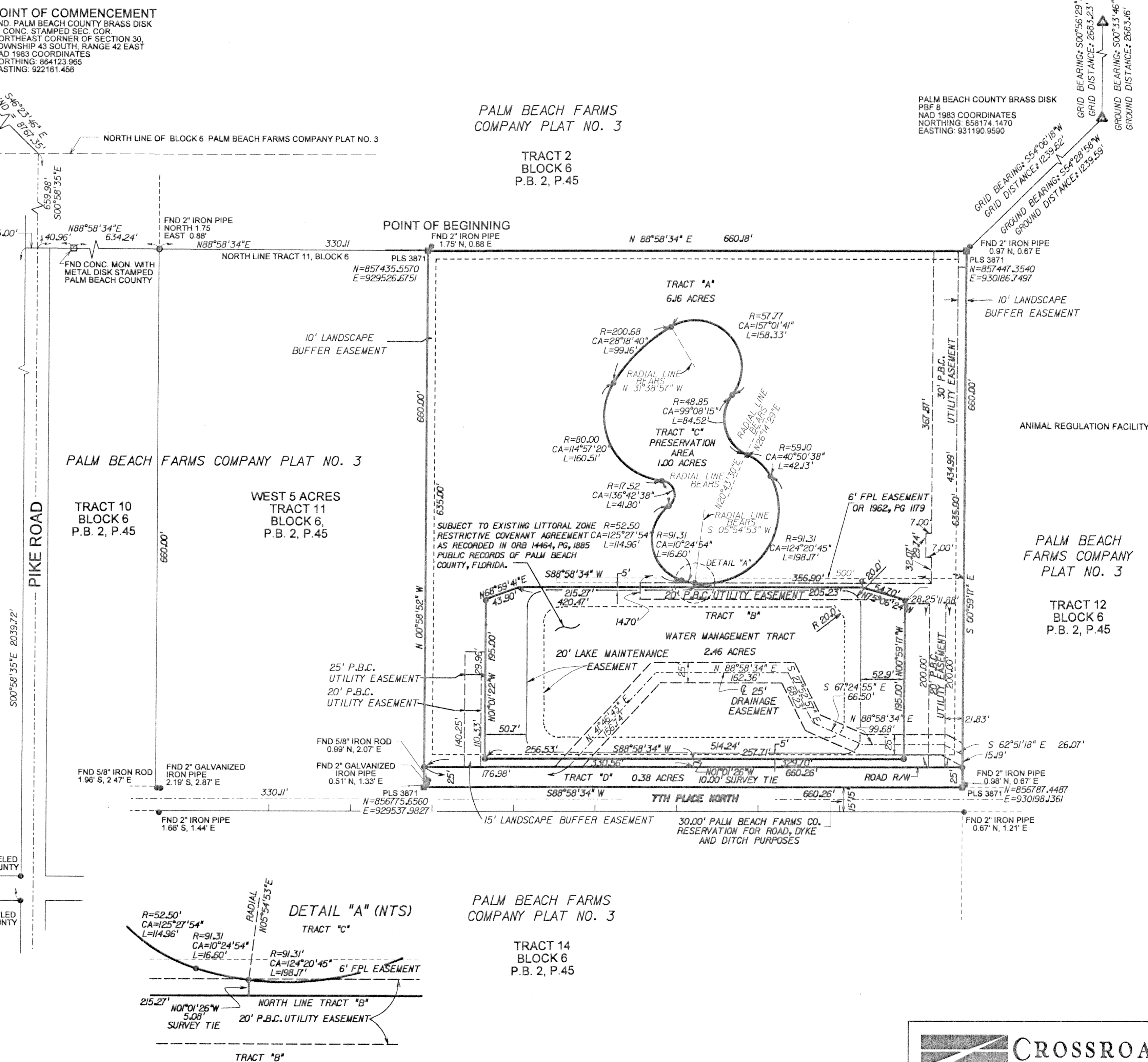
- BEARINGS SHOWN ARE GRID BEARINGS BASED ON MONUMENTATION SHOWN.
- FIELD SURVEY WAS PERFORMED ON JUNE 10, 1998
- NO BUILDING OR ANY KIND OF CONSTRUCTION OR TREES OR SHRUBS SHALL BE PLACED ON ANY EASEMENT WITHOUT PRIOR WRITTEN CONSENT OF ALL EASEMENT BENEFICIARIES AND ALL APPLICABLE COUNTY APPROVALS OR PERMITS AS REQUIRED FOR SUCH ENCROACHMENTS.
- SEPTIC SYSTEM INSTALLATIONS ARE THE RESPONSIBILITY OF THE INDIVIDUAL LOT OWNER. ANY SEVERELY OR MODERATELY LIMITED SOILS MUST BE REPLACED IN ACCORDANCE WITH RULE 10D - 6, FAC AND PBC ECR - 1.
- - DENOTES PERMANENT REFERENCE MONUMENT SET, STAMPED PLS 3871
- - DENOTES LOT CORNER (SET ROD & CAP NO. LB 6595)
- OA - DENOTES OVERALL LENGTH
- TYP - DENOTES TYPICAL
- POB - DENOTES POINT OF BEGINNING
- ESMT - DENOTES EASEMENT
- DB - DENOTES DEED BOOK
- ORB - DENOTES OFFICIAL RECORD BOOK
- PB - DENOTES PLAT BOOK
- PG - DENOTES PAGE
- C/L - DENOTES CENTER LINE
- R/W - DENOTES PUBLIC RIGHT-OF-WAY
- R&C - DENOTES ROD AND CAP
- PRM - DENOTES PERMANENT REFERENCE MONUMENT
- PCP - DENOTES PERMANENT CONTROL POINT
- PLS - DENOTES PROFESSIONAL LAND SURVEYOR / SURVEYOR AND MAPPER
- R - DENOTES RADIUS
- L - DENOTES ARC LENGTH
- CA - DENOTES DELTA ANGLE
- FND - DENOTES FOUND
- CM - DENOTES CONCRETE MONUMENT
- PK - DENOTES PARKER-KALON NAIL
- LINEAR UNIT - U.S. SURVEY FOOT
- COORDINATE SYSTEM 1983 STATE PLANE TRANSVERSE MERCATOR PROJECTION
- ALL DISTANCES ARE GRID
- SCALE FACTOR - 1.0000242550
- GROUND DISTANCE X SCALE FACTOR - GRID DISTANCE
- ALL BEARINGS ARE GROUND
- COORDINATES SHOWN ARE GRID
- DATUM - NAD 83, 1990 ADJUSTMENT
- ZONE - FLORIDA EAST

FND PALM BEACH COUNTY BRASS DISK IN CONC. STAMPED QUARTER CORNER NORTH QUARTER CORNER OF SECTION 30, TOWNSHIP 43 SOUTH, RANGE 42 EAST NAD 1983 COORDINATES: NORTHING: 864182.414 EASTING: 919471.107

POINT OF COMMENCEMENT FND PALM BEACH COUNTY BRASS DISK IN CONC. STAMPED SEC. COR. NORTHEAST CORNER OF SECTION 30, TOWNSHIP 43 SOUTH, RANGE 42 EAST NAD 1983 COORDINATES: NORTHING: 864123.965 EASTING: 922181.458

PALM BEACH COUNTY BRASS DISK PBF 8 NAD 1983 COORDINATES: NORTHING: 860857.0120 EASTING: 931146.8760

PALM BEACH COUNTY BRASS DISK PBF 8 NAD 1983 COORDINATES: NORTHING: 860857.0120 EASTING: 931146.8760



SUBDIVISION HUDSON-SPARLING PLAT  
 BOOK 09 PAGE 09  
 FLOOD MAP # 150A  
 ZONING 11  
 QUAD # 46  
 SE K 11-49  
 TAZ 870  
 PUD NAME

FILE: s:\PROJECTS\9805-HSN\asur\vdists12.dgn DATE: 15-Oct-02 16:24